

# Metered Standpipes

## Scope of Use / Specification Sheet

Metered Standpipes provide direct access to water pipelines, with the added benefit of a water meter attachment.

Assembled, manufactured and tested in Brisbane, Australia.



WM264MSP



WM657MSPQLD

Product Code		
Model	Size	Catalogue Number
Standpipe with 20mm Tap	25mm	WM257MSPTAP
CFA Thread	65mm	WM656MSPCFA
QLD Round Thread	65mm	WM657MSPQLD
NSW V Thread	65mm	WM658MSPNSW
BSP	32mm	WM326MSP
BSP	25mm	WM264MSP
SA	65mm	WM658MSPSA

### Application

Applications requiring large volumes and high flow rates, such as filling water trucks and agricultural watering units can be measured accurately. Access is gained via Spring Hydrants and used to draw water from the main.

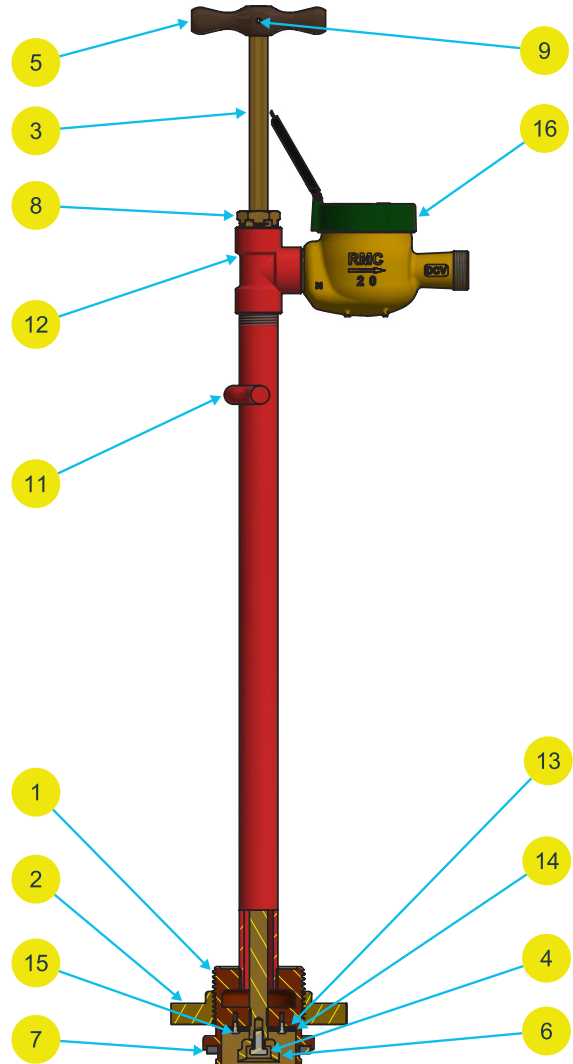
### Installation

Installation is subject to the requirements of the applicable regulatory authority.

## 25mm Metered Standpipes

### Parts List

Item	Qty	Part Number	Description
1	1	FR0991	Contractors H/Base 25GM RMC
2	1	FR0993	Hydrant Base Nut GM
3	1	FR0982	Hydrant Spindles 65mm
4	1	FR0685	HEX Bolt - M8 x 16
5	1	FR0891	Hydrant Handle 1/2 Hole GM
6	1	FR0295	Hydrant Cup Pieces Brass
7	1	FR1262	Standpipe Base Washer
8	1	FR0981	Hydrant Continuous Spindle Sealing Bush
9	2	FR1023	Roll Spring Pin
10	1	FR1011	O-Ring BS114 N70
11	1	FR0986	25mm Hydrant Barrel Welded Assembly
12	1	FR0849	1" BSPF Tee
13	1	FR1030	Non-Return Washer DN25 Standpipe
14	1	FR1027	Strainer DN25 Standpipe
15	2	10-0706-M4	10-0706-M4 Dome Head
16	1	WM275MRP	Watermeter DN20 DC BSP Thread



# 65mm Metered Standpipes

## Parts List

Item	Qty	Part Number	Description
1	1	FR0293	Hydrant Standpipe S/S Circlip WM
2	1	FR0295	Hydrant Cup Pieces Brass
3	1	FR0665	Screw Cap SKT HD M10X35 SS
4	6	FR0685	HEX Bolt - M8 x 16
5	1	FR0891	Hydrant Handle 1/2 Hole GM
6	1	FR0937	65mm S/pipe Base GM RMC Type
7	1	FR0962	Hydrant S/pipe Barrel Al (Meter S/p)
8	1	FR0980	Rivert Brass NRV WM5/8
9	1	FR0984	Washer Brass Non-Return WM5/8
10	1	FR0993	Hydrant Base Nut GM
11	2	FR1011	O-Ring BS114 N70
12	2	FR1012	O-Ring BS232 N70
13	1	FR1019	Spindle Metered Standpipe
14	2	FR1023	Roll Spring Pin
15	6	FR1024	Washer - Toothlock Int
16	1	FR1026	Hyd S/pipe WM Strainer Top
17	1	FR1028	Hyd S/pipe WM Strainer Base
18	1	FR1031	Disc-Non-Return Flap - MSP
19	3	1N152-3	Bolt M12 x 30 Stainless Steel
20	1	FR1040	HEX Bolt Gal M12 x 1.75 x 30 Hollow
21	1	FR1262	Standpipe Base Washer
22	2	FR1595	MSP Handle SST
23	1	FR1841	Hyd S/p Meter Body - Top Mach L/A
24	1	FR1893	Hyd Head S/O QRT Alloy
25	1	P408-1	Plug
26	1	WM182	Meter Body

